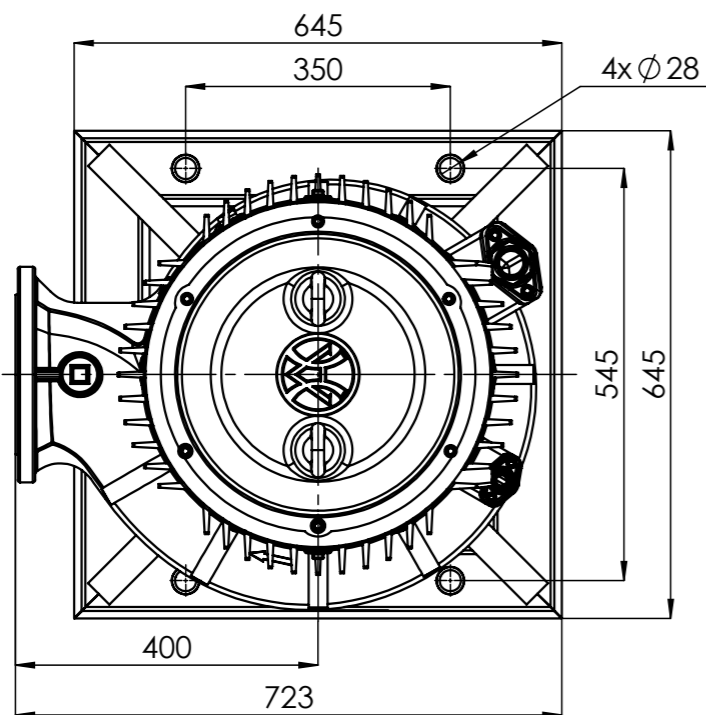


DN150 PN10
EN-1092

DN200 PN10
EN-1092

670

365

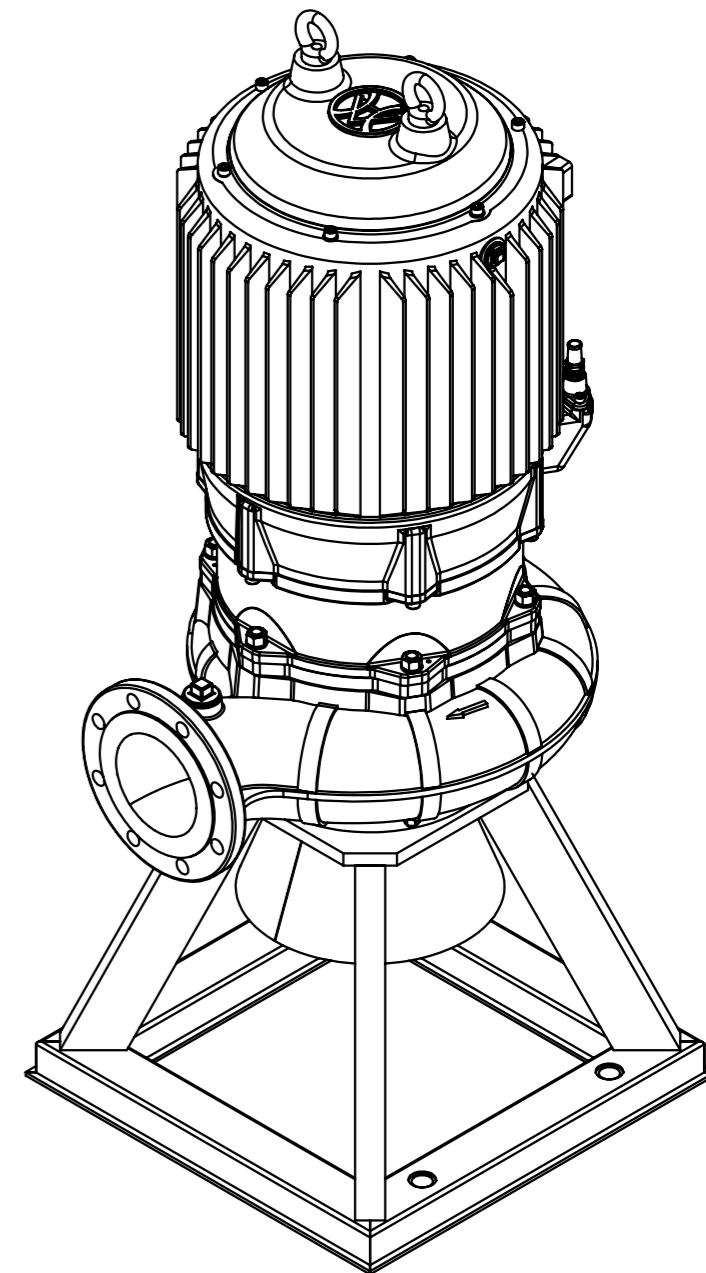


$\varnothing 150$
 $\varnothing 240$
 $\varnothing 285$

45°

22.5°

1670



1:10

FZ(BCPV).6.5210

18,5kW
22kW
30kW
6p
200

HYDRO-VACUUM S.A.
GRUDZIADZ
ul. Droga Jeziorna 8